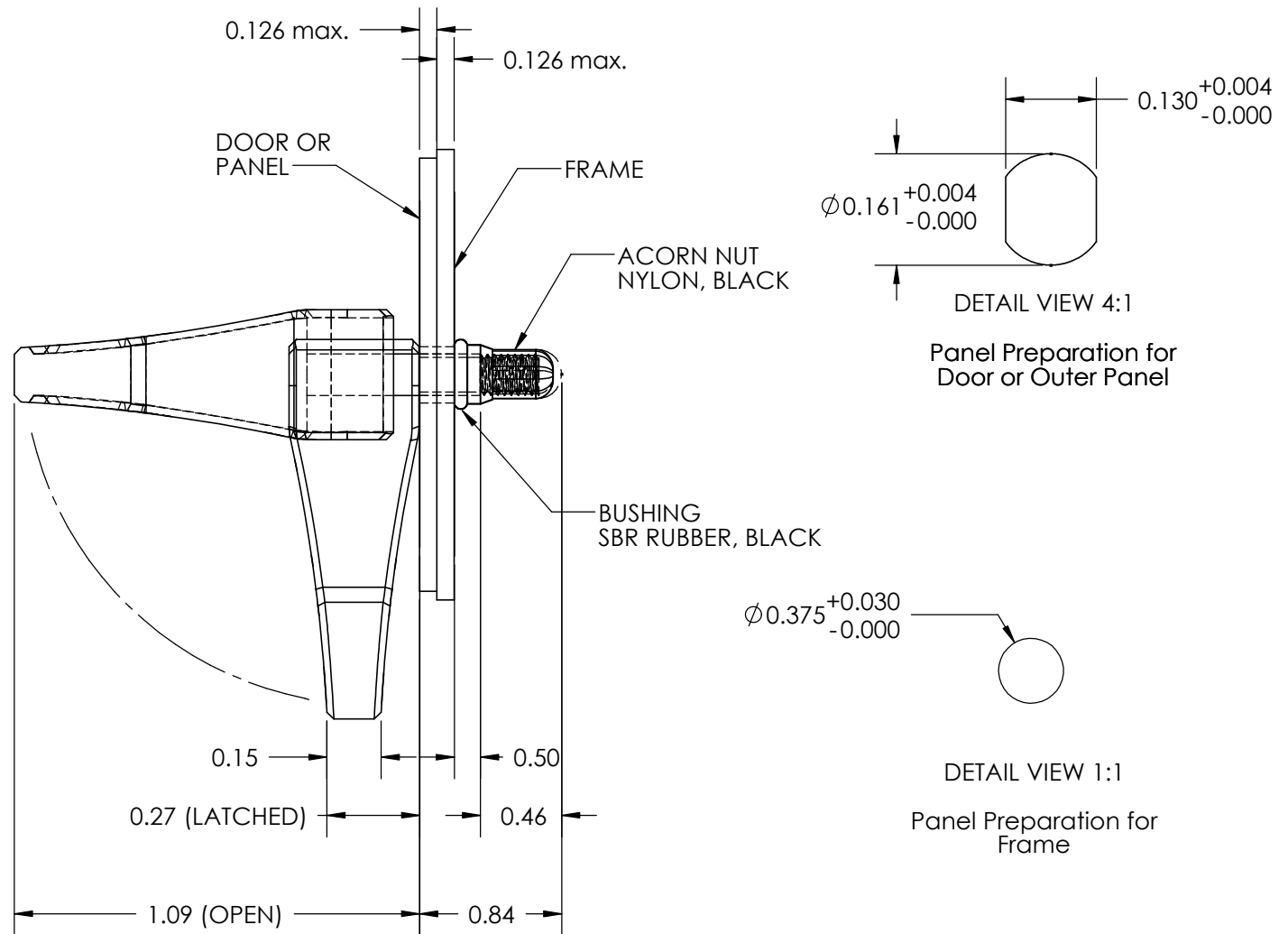


INSTALLATION INSTRUCTIONS

1. PREPARE A SHAPED HOLE IN DOOR OR OUTER PANEL AND A ROUND HOLE IN THE FRAME.
2. WITH HANDLE IN OPEN POSITION INSERT THE SHAFT THROUGH HOLE IN DOOR, THEN PASS BUSHING OVER SHAFT AND SECURE WITH NYLON NUT.
3. ADJUST NYLON NUT TO PROVIDE A SATISFACTORY HOLD IN, OR BEHIND FRAME HOLE WITH MODERATE LOCKING FORCE.



REV	BY	DATE	COMMENT	DIMENSIONS ARE IN INCHES TOLERANCES FRACTIONAL ± TWO PLACE DECIMAL ± 0.03 THREE PLACE DECIMAL ± 0.010 UNLESS OTHERWISE NOTED	DRAWN	LQR	 PART NAME Swell Latch Installation Instructions	
0	MXO	02/24/05	RELEASE DATE	KNOB MATERIAL KNOB FINISH INSERT PART NUMBER INSERT MATERIAL INSERT FINISH	APPROVED	LQR		PART NUMBER
1	LQR	06/16/09	Changed to SolidWorks Format		DATE	06/16/2009	SCALE: 1:1	
					COMMENTS			
PROPRIETARY AND CONFIDENTIAL THE INFORMATION CONTAINED IN THIS DRAWING IS THE SOLE PROPERTY OF INNOVATIVE COMPONENTS. ANY REPRODUCTION IN PART OR AS A WHOLE WITHOUT THE WRITTEN PERMISSION OF INNOVATIVE COMPONENTS IS PROHIBITED.								